

IP65 On/off PIR Motion Sensor (High-bay)

WSEL380 (HC049S) (High-bay)

On/off Bolt-on/Batten-fit PIR Sensor



Product Description

HC049S is a high-bay PIR on/off motion sensor, with capability of up to 1.5m installation height. HC049S has a daylight sensor built-in, and is specifically designed for mounting onto a batten style luminaire. All sensor parameters can be programmed through remote controller HRC-11.

Hardware Features

- IP65
- Max withstand in-rush current 80A@160μs
- Black, white gray metal Surface mount box optional
- Fixing washers accessory
- High-bay (up to 1.5m height)
- 5-year warranty, designed for long lifetime up to 50,000 hours
- Remote controllable



Technical Specifications

Input Characteristics

Model No.	HC049S
Operating voltage	220 ~ 240VAC 50/60Hz
Stand-by power	< 1W
Output	30mA, 12VDC (max. 15 devices)
Warming-up	30s

Safety and EMC

EMC standard (EMC)	EN55015, EN61547 EN61000-3-2/-3-3
Safety standard (LVD)	EN61347-1, EN61347-2-11
Certification	ENEC, CE, EMC, LVD, RCM
RED	EN300328, EN301489-1 EN301489-17

Sensor Data

Model No.	HC049S
Sensor principle	PIR detection
Detection range*	Max installation height: 1.5m (forklift) 1.2m (single person) Max detection range: 1.6m (diameter)
Detection angle	360°

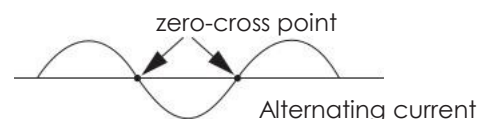
* The detection range is heavily influenced by sensor placement (angle) and different walking paces. It may be reduced under certain conditions.

Environment

Operation temperature	Ta: -20°C ~ +50°C
IP rating	IP65

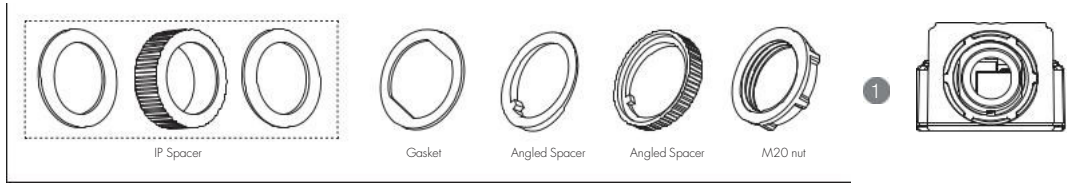
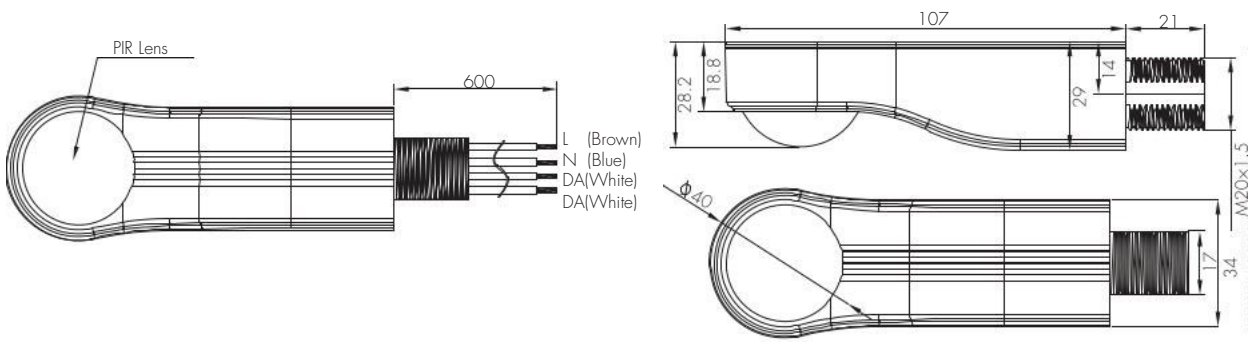
Zero-cross relay operation

The sensor switches on/off the load right at the zero-cross point, to ensure that the in-rush current is minimised, enabling the maximum lifetime of the relay.

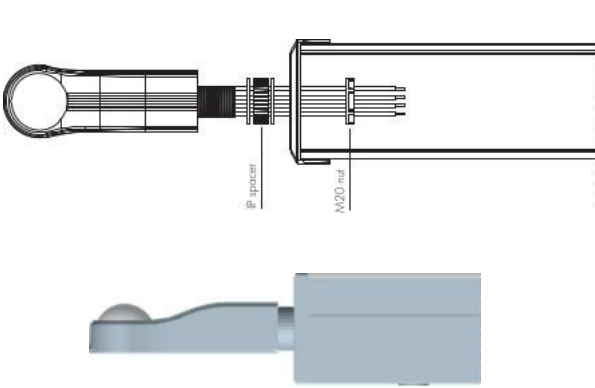


Mechanical Structure & Dimensions

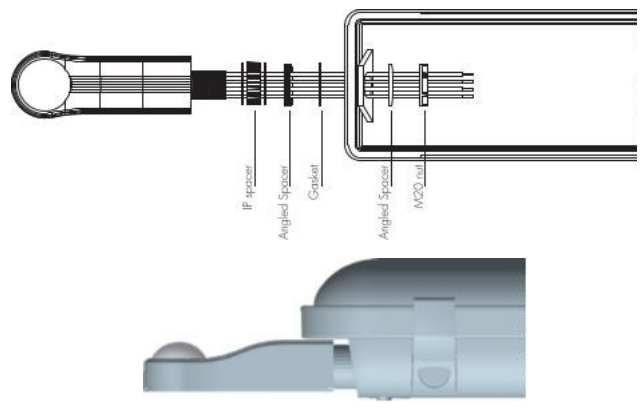
(unit:mm)



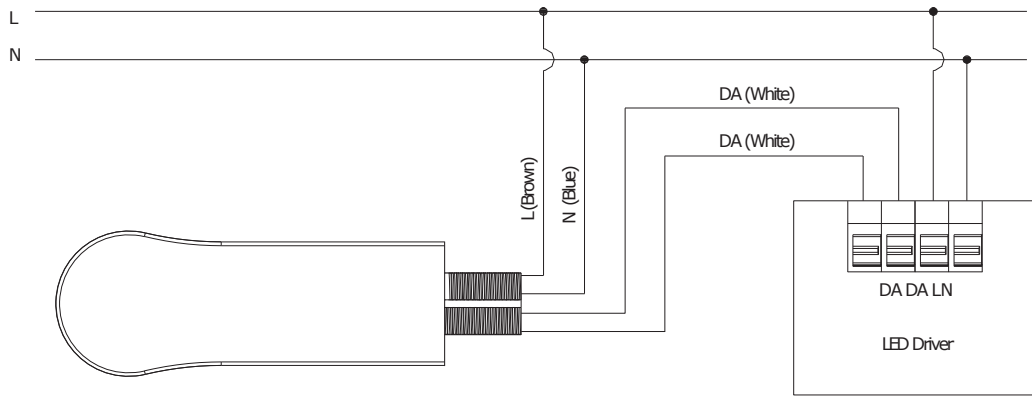
Typical Installation 1

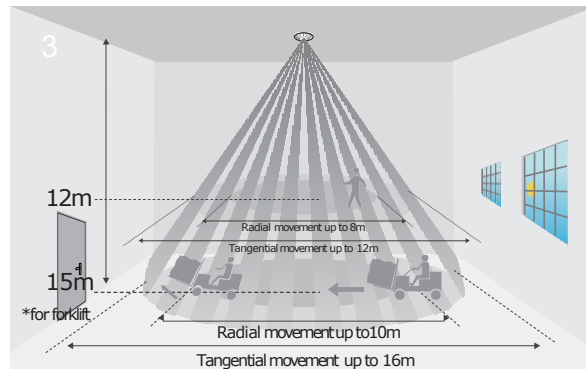


Typical Installation 2



Wiring Diagram





*The detection patterns are based upon 5km/h movement speed.

Additional Information / Documents

1. To learn more about detailed product features/functions, please refer to www.hytronik.com/download ->knowledge ->Introduction of App Scenes and Product Functions
2. Regarding precautions for Bluetooth product installation and operation, please kindly refer to www.hytronik.com/download ->knowledge ->Bluetooth Products -Precautions for Product Installation and Operation
3. Regarding precautions for PIR sensor installation and operation, please kindly refer to www.hytronik.com/download ->knowledge ->PIR Sensors -Precautions for Product Installation and Operation
4. Data sheet is subject to change without notice. Please always refer to the most recent release on www.hytronik.com/products/bluetooth technology ->Bluetooth Sensors
5. Regarding Hytronik standard guarantee policy, please refer to www.hytronik.com/download->knowledge ->Hytronik Standard Guarantee Policy