

Pole Mounted BT Access Gate

624605 – Gateway BT HYT Clue GSM HBGW01 IoT
 625497 – Gateway BT HYT Clue HBGW01 IoT (bez GSM)



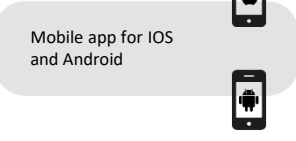
LENA
LIGHTING

Clue


Technical data


CPU	Allwinner H6.do 1,5 GHz. Quad-core ARM Cortex-A53
GPU	Mali-T720
RAM ROM	4G DDRIII 32GB
UV resistance	YES
LTE coverage	Yes, subscription included
AC In	230V
LAN	Port RJ45 Ethernet (100 M)
Dual Wi-Fi	2.4G+5G(AC2x2)
BT	BT4.1
NEMA Module Distance	Max. 50 m
Security and electromagnetic compatibility	EN-60950-1,EN-301489-17 EN-301489-1,EN-30328
Operating Temperature	Ta: -35°C ~ +70°C
IP rating	IP67






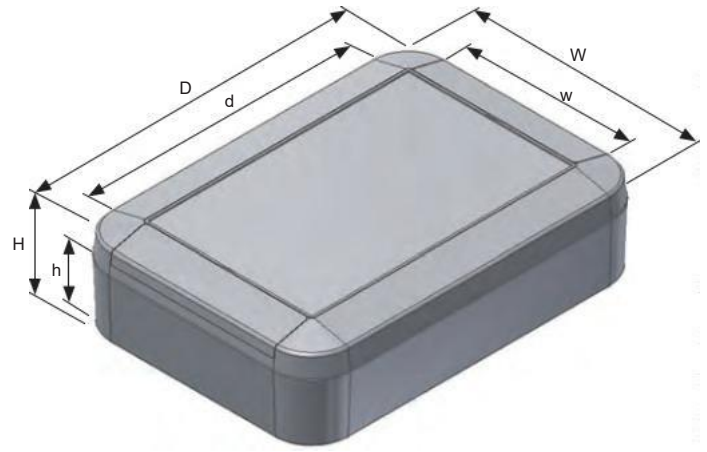
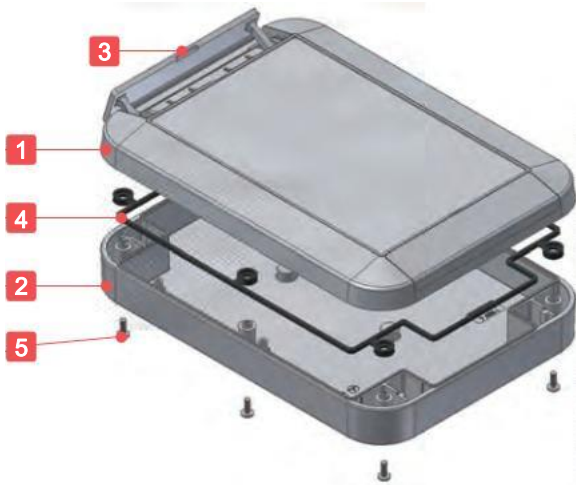
Mobile app for IOS
and Android







Web application/platform:
www.iot.koolmesh.com



Components

Nr	Part Name	Number of pieces	Material / Color
1	Top cover	1	ASA UL94HB / White Grey : Flame Retardant ABS UL94V-0 / Graphite Grey
2	Bottom Base	1	ASA UL94HB / White Grey : Flame Retardant ABS UL94V-0 / Graphite Grey
3	Blanking covers	2	ASA UL94HB / White Grey : Flame Retardant ABS UL94V-0 / Graphite Grey
4	Gasket	1	Silicone / Black
5	Screw	4 ~ 8	Stainless Steel Screw

Product No. / Dimensions

Product No.	IP	Dimensions			Internal dimensions			Screw	Recommended torque (N * m)	Weight (g)
		W	D	H	w	d	h			
Graphite Grey (ABS)	IP67	200	280	65	189	229	58/5	M3-8 x 8pcs	0.45 ~ 0.55	646
WP20-28-7C										

Housing content

IOT0025	External 4G/LTE USB Stick WiFi Modem ZTE MF79U (contains only 624605)
624933	Timekeeper/repeater module HTG02/F Hytronik IoT
IOT0022	IP67 WP20-28-7C TAKACHI Enclosure
WSEL384	Router gateway IoT HYTRONIK HBGW01 IoT

624933 (HTG02/F)



WSEL384 (HBGW01)

